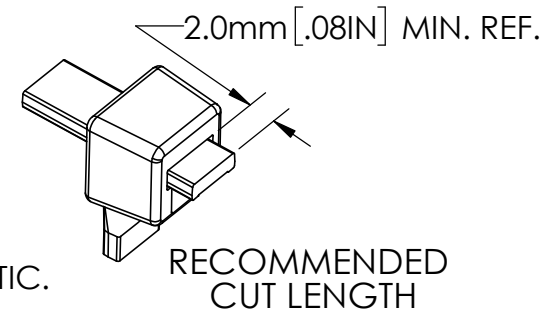
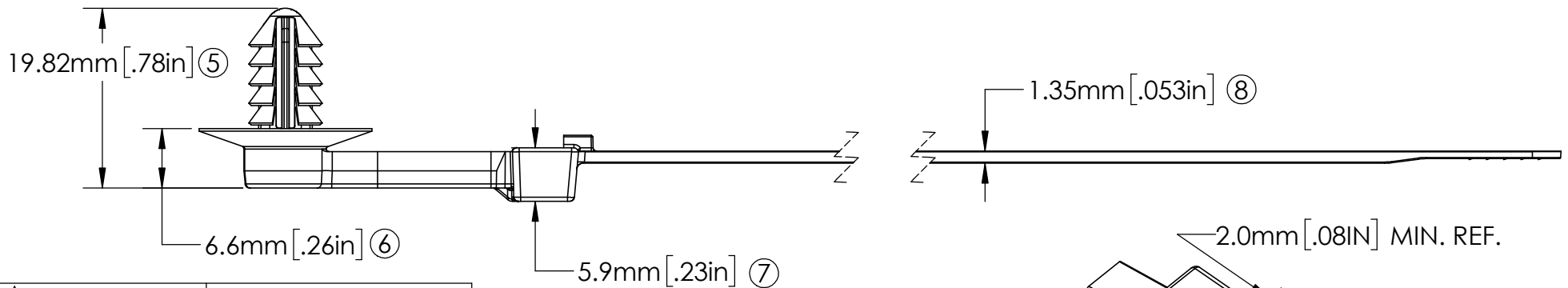
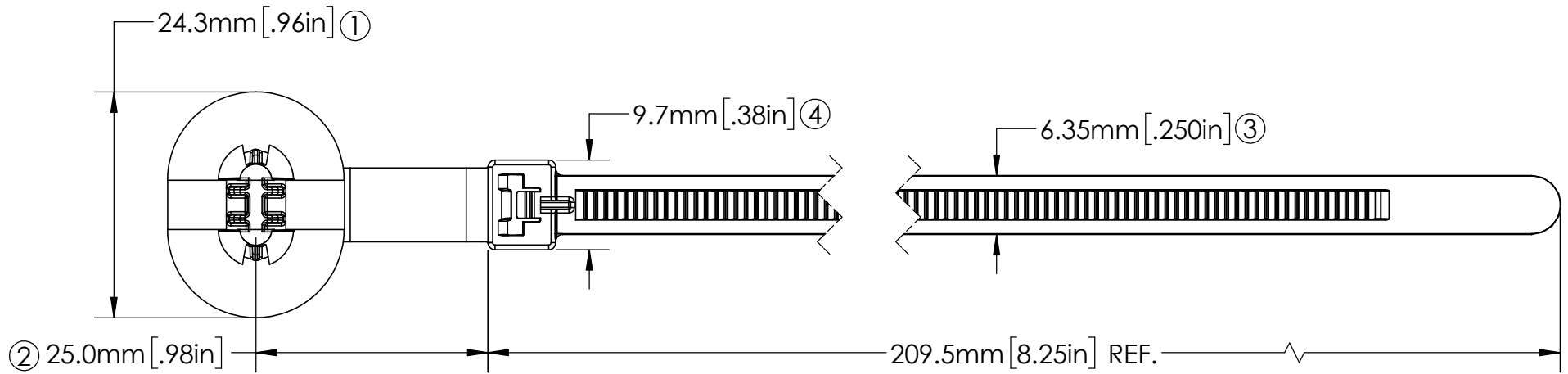


AVERY DENNISON MARKETING SPECIFICATION

© 2021 AVERY DENNISON CORPORATION. ALL RIGHTS RESERVED

HISTORY

| REV. | DATE | DESCRIPTION |
|------|----------|-------------|
| A | 07.22.21 | RELEASED |



NOTES:

1. THE (Δ) DENOTES A CRITICAL CHARACTERISTIC.

| | | | |
|------------|------------|----------------------|----------|
| APPROVALS: | ENG. APPR. | <i>D. Gilbertson</i> | 07.22.21 |
| | Q.A. APPR. | <i>R. Estano</i> | 07.22.21 |



FASTENER DIVISION
 FITCHBURG, MA 01420 U.S.A.
 TEL. 1-800-225-5913
 FAX. 978-353-8157

| | | | |
|----|---|-----------------------|---|
| 9 | △ | FLAMMABILITY: | HB RATING PER FMVSS302 |
| 10 | △ | TENSILE STRENGTH: | 50 lbf / 222N MIN. |
| | | MOUNTING: | 6.2mm X 12.2mm ; 6.5mm X 12.5mm ; 6.5mm X 13.0mm ; 7.0mm X 12.0mm THICKNESS OF 0.6mm TO 7.0mm |
| | | INSERTION: | 10lbf / 44.5N MAX |
| | | EXTRACTION: | 25lbf per USCAR-44 NOM. FORCES: >40lbf / 178N MIN |
| | | OPERATING TEMP RANGE: | -40 °F (-40 °C) TO 239 °F (115 °C) CONTINUOUS AND 257 °F (125 °C) AT MAXIMUM EXPOSURE |
| | | WEIGHT: | 3.5g |
| | | BUNDLE DIAMETER: | ∅ 1.6mm TO ∅ 50.0mm |
| | | TOOL: | 12001 - HAND TOOL 12500 - PNEUMATIC TOOL |
| | | TOOL TENSION SETTING: | 6 - 8 |
| | | PACKAGING: | 1000/BAG, 5BAGS/MASTER |

| | |
|---------------------------|--------------|
| SPECIFIED TOLERANCES ARE: | |
| .XX ± .03 INCHES | .X ± .7 mm |
| .XXX ± .010 INCHES | .XX ± .25 mm |
| ANGULAR: ± 2° | |

| | |
|----------|---|
| MATERIAL | NYLON 6/6, IMPACT MODIFIED, HEAT STAB. |
| COLOR | BLACK |

| | |
|-------------|--|
| DESCRIPTION | OVAL FIR TREE OFFSET TIE, 25mm, STD, IMHS |
| STOCK NO. | 20291-0 |
| REV. | A |